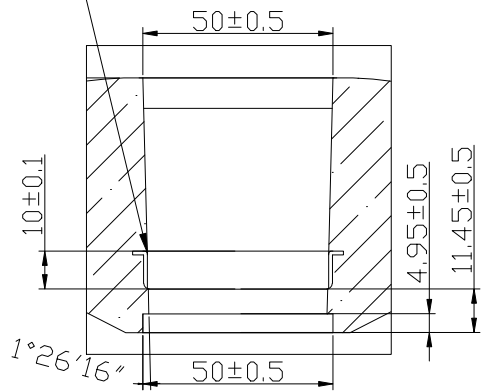
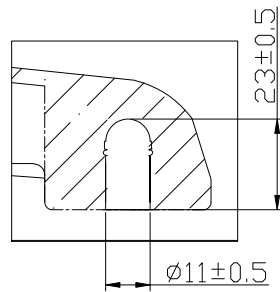


SECTION A-A

STEEL RING



DETAIL B
SCALE:4/1



DETAIL C
SCALE:4/1

TKL320

