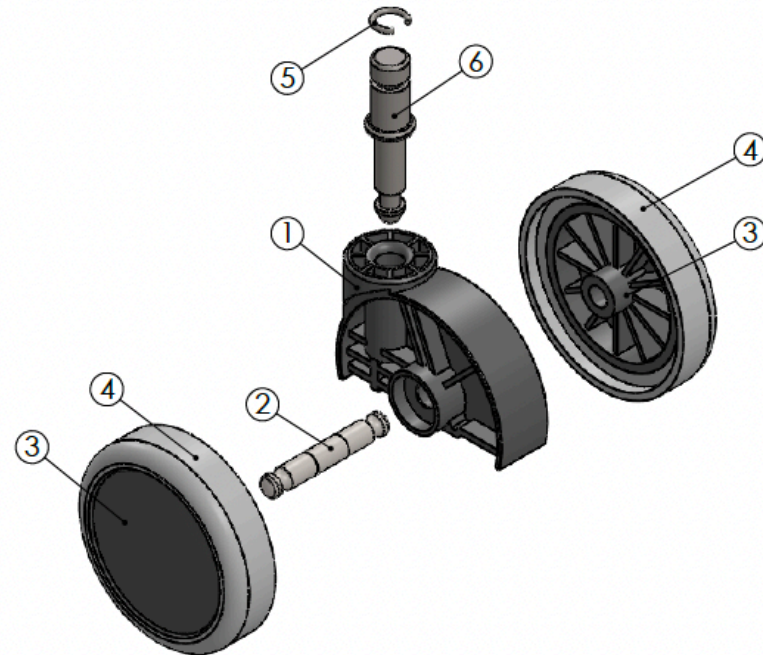


ITEM NO.	PART NUMBER	RAW MATERIAL	QTY.
1	PU 65-E Hub	PA6	1
2	PU 65-E CPin	Mild Steel	1
3	PU 65-E Wheel Core	PA6	2
4	PU 65-E Wheel Tread	TPU	2
5	Lock Ring	Spring Steel	1
6	Stem	Mild Steel	1



Specifications In Accordance With

EN 12527 / 12528 / 12529

BIFMA x 5.1 2017

Recycle Material Not more than 20%

1RI-C6526BK-U
Caster 65mm Black 26mm Barrel Soft Wheel

