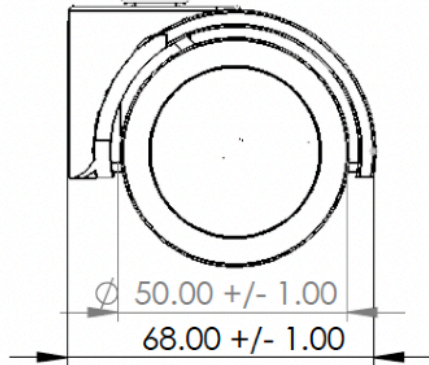
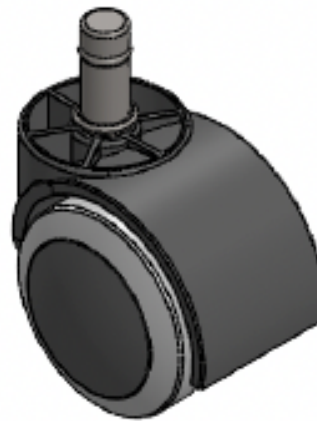
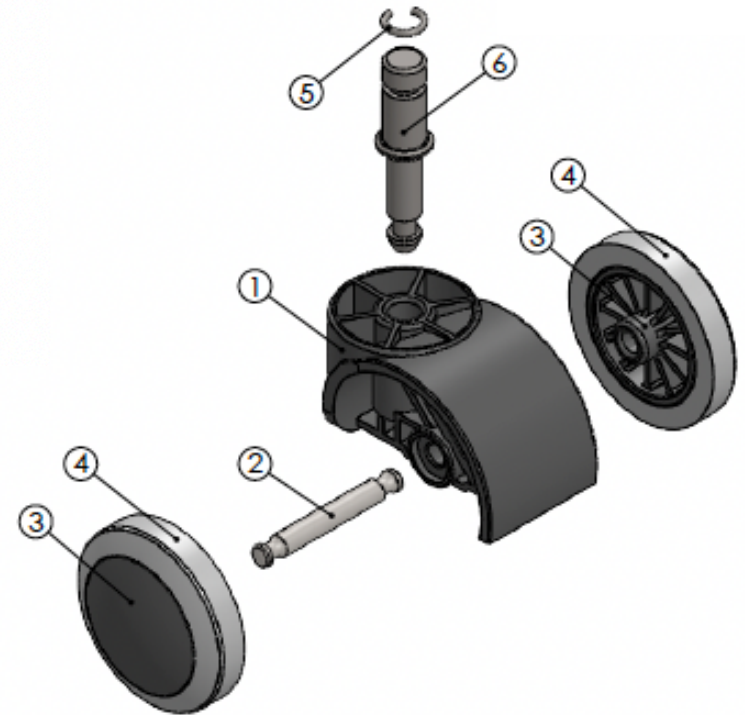


$\phi 11.5 +0.30$   
 $\phi 11.00 -0.15$



ITEM NO.	PART NUMBER	RAW MATERIAL	QTY.
1	EL-02-PU Hub	PA6	1
2	EL-02-PU CPin	Mild Steel	1
3	EL-02-PU Wheel Core	PA6	2
4	EL-02-PU Wheel Tread	TPU	2
5	Lock Ring	Spring Steel	1
6	Stem	Mild Steel	1



Specifications In Accordance With  
**EN 12527 / 12528 / 12529**  
**BIFMA x 5.1 2017**

Recycle Material Not more than 20%

1R1-C5038BK-UGR

