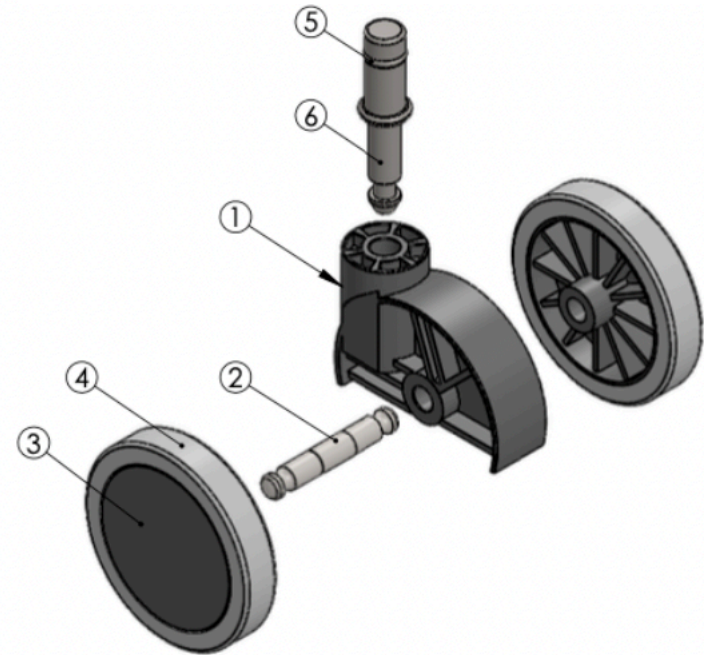


ITEM NO.	PART NUMBER	Raw Material	QTY.
1	PU 60 HUB	PA6	1
2	CPin	Mild Steel	1
3	PU 60 Wheel Core	PA6	2
4	PU 60 Wheel Tread	TPU	2
5	Washer	Spring Steel	1
6	Stem	Mild Steel	1



Specifications In Accordance With

EN 12527 / 12528 / 12529

BIFMA x 5.1 2017

Recycle Material Not more than 20%

1RI-C6023-BK-U - Soft Wheel

 **ReSource Inc**